

APPENDIX D: FIELD SURVEY FORMS FROM THE
INTERTIDAL CLAM SURVEY IN THE
LDW, AUGUST 8-12, 2003

20 x 50

520
90
230

Beach name: #8

Location: 1st Ave South Bridge

Date: 8.8.03

Tide height/time: -1.6ft 8:27am

Comments/notes: % fines + salinity cores collected by: Joanna + Andy

Photo point # and locations: John → SMC

Approximate size of beach (> or < 1,000 m²): 20,000 - 50,000

Block size: 1000 ft² 50 x 20

Page 1 of 1

Surveyor: MW / MS

Crew: BC, DP, CT, JF, HA

Best fit line:

Transect	Direction of best fit	Direction of transect
1	272	192
4	320	230

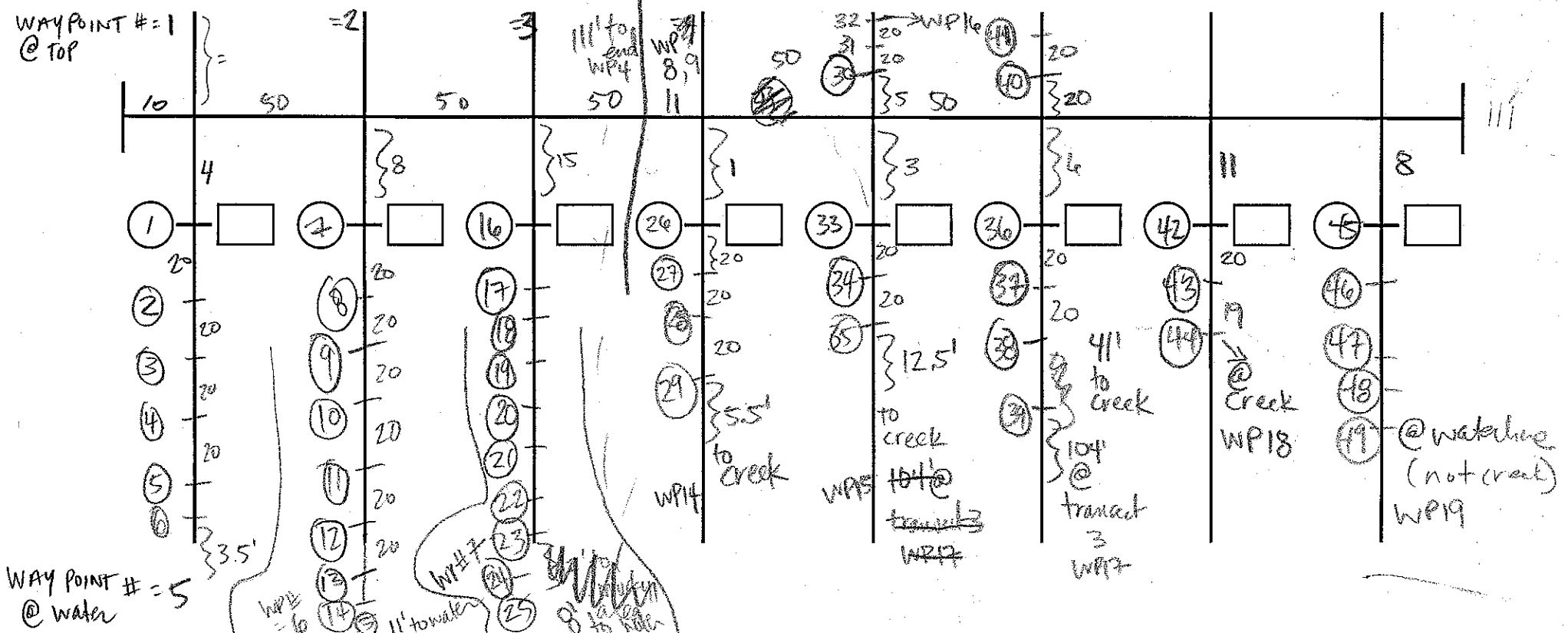
$\frac{272}{-90}$
182

Substrate description: gravelly, fines, some large debris
elevation @ top of clam band = 7.5' time = 7¹⁸ am

Salinity: _____

HD 0 HD 45 HD 40 HD 0 HD 0

T# 1 T# 2 T# 3 T# 4 WP9 T# 5 WP10 T# 6 WP11 T# 7 WP12 T# 8 WP13



Beach name: T105 small area

Location: _____

Date: 8/8/03

Tide height/time: _____

Comments/notes: _____

tide rising fast

Photo point # and locations: _____

edge of rocky area

HD 0

HD 0

HD _____

HD _____

HD _____

HD _____

HD _____

HD _____

T# 8 WP37

T# 9 WP38

T# 10 WP39

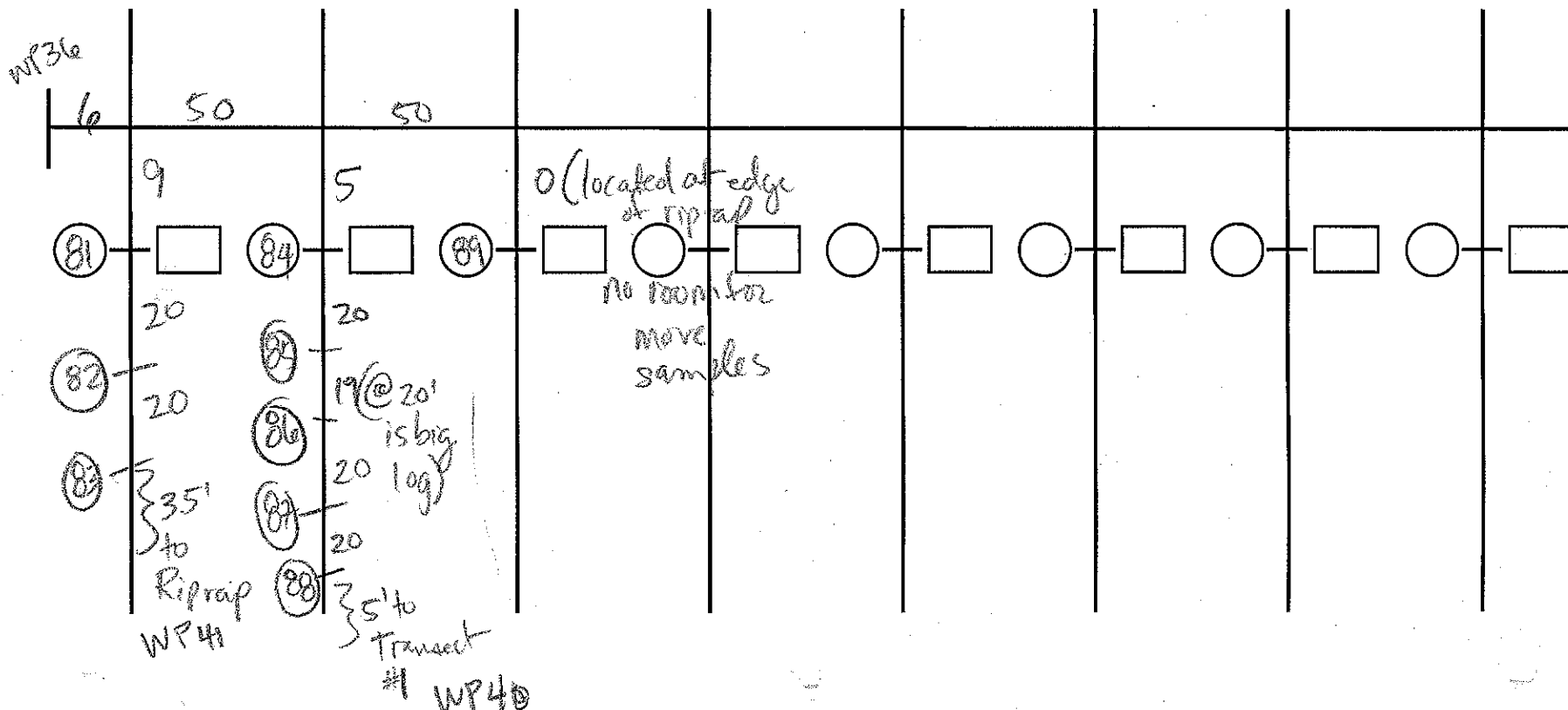
T# _____

T# _____

T# _____

T# _____

T# _____



Approximate size of beach (> or < 1,000) m²): _____

Block size: 1000ft² 50x20

Best fit line:

Transect	Direction of best fit	Direction of transect
<u>8</u>	<u>260</u>	<u>170</u>

E-W

Substrate description: _____

Salinity: _____

260
-90
170

Page 2 of 2

Surveyor: MW

Crew: _____

Beach name: #7

Location: Slip 2: Hale's Construction

Date: 8.9.03

Tide height/time: 9:30 / -2.13'

Comments/notes: _____

% fines / salinity collected by: Rob
#4 starts after pier

Photo point # and locations: _____

190
90
280
165
90
255
170
90
260
Page 1 of 1

Approximate size of beach (> or < 1,000) m²): ~48,000 (~48 samples)

Surveyor: mw

Block size: 1000ft² 50x20

Crew: _____

Best fit line:

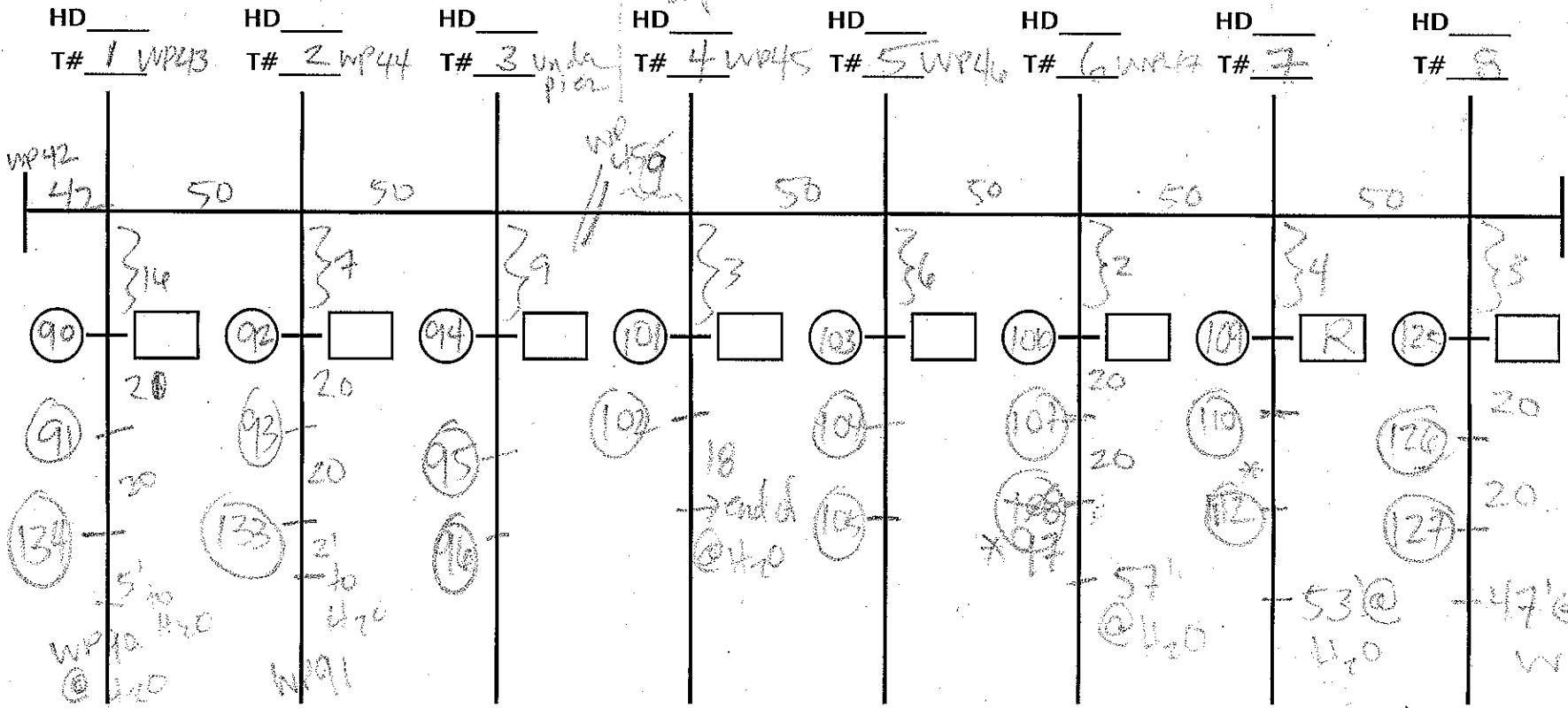
Transect	Direction of best fit	Direction of transect
1	190	280
4	165 170	255 260

Substrate description: _____

elevation @ top of clam band = 4 1/2" time = 7:00 am
@ trans 7 = Rocky, looks placed

boundary = edge of pier

Salinity: _____



*108 gone *can't find it

Beach name: _____

Location: _____

Date: _____

Tide height/time: _____

Comments/notes: _____

Photo point # and locations: _____

Approximate size of beach
(> or < 1,000) m²: _____

Block size: _____

Best fit line:

Transect	Direction of best fit	Direction of transect

Substrate description: _____

Salinity: _____

Surveyor: MW

Crew: _____

HD _____
T# 9

HD _____
T# 10

HD _____
T# _____

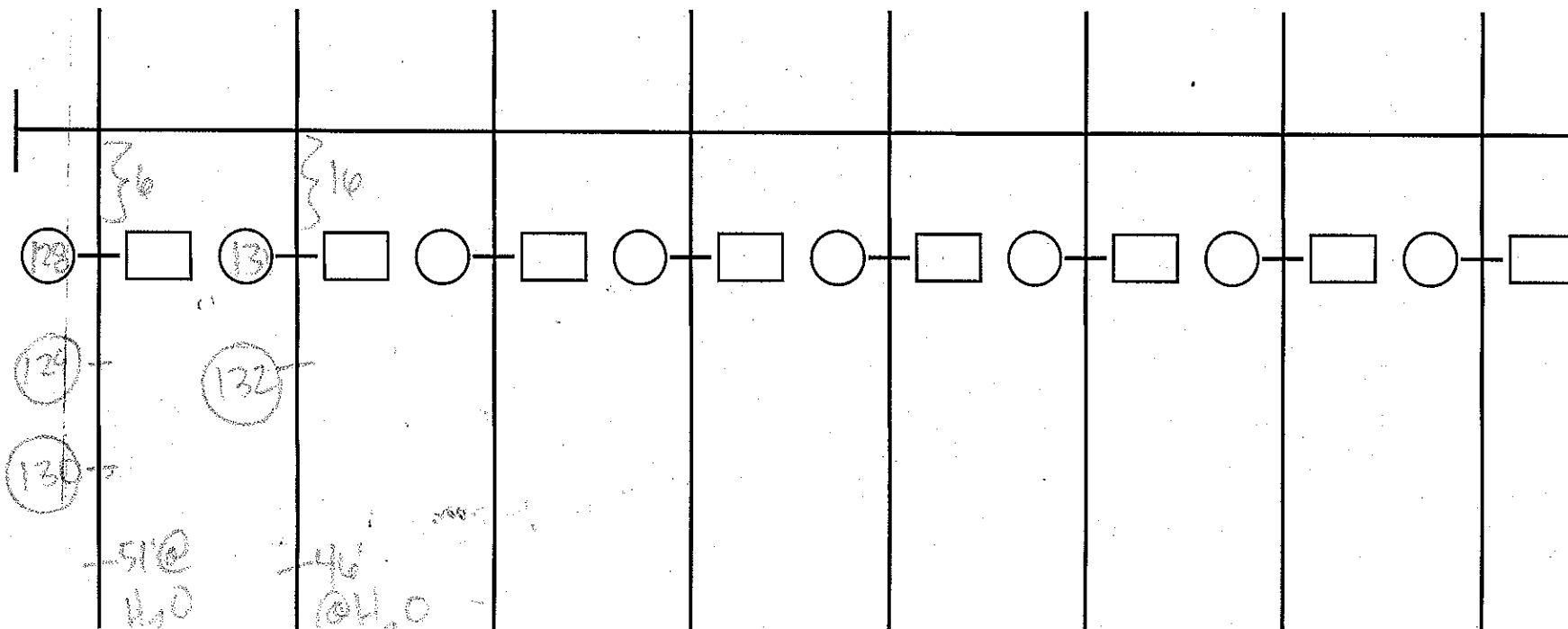
HD _____
T# _____

HD _____
T# _____

HD _____
T# _____

HD _____
T# _____

HD _____
T# _____



-51 @ H₂O
WP89
-46 @ H₂O
WP89

Beach name: 13a

Location: Slip 4

Date: 8/9/03

Tide height/time: 9:30 am - 2:10³ ft

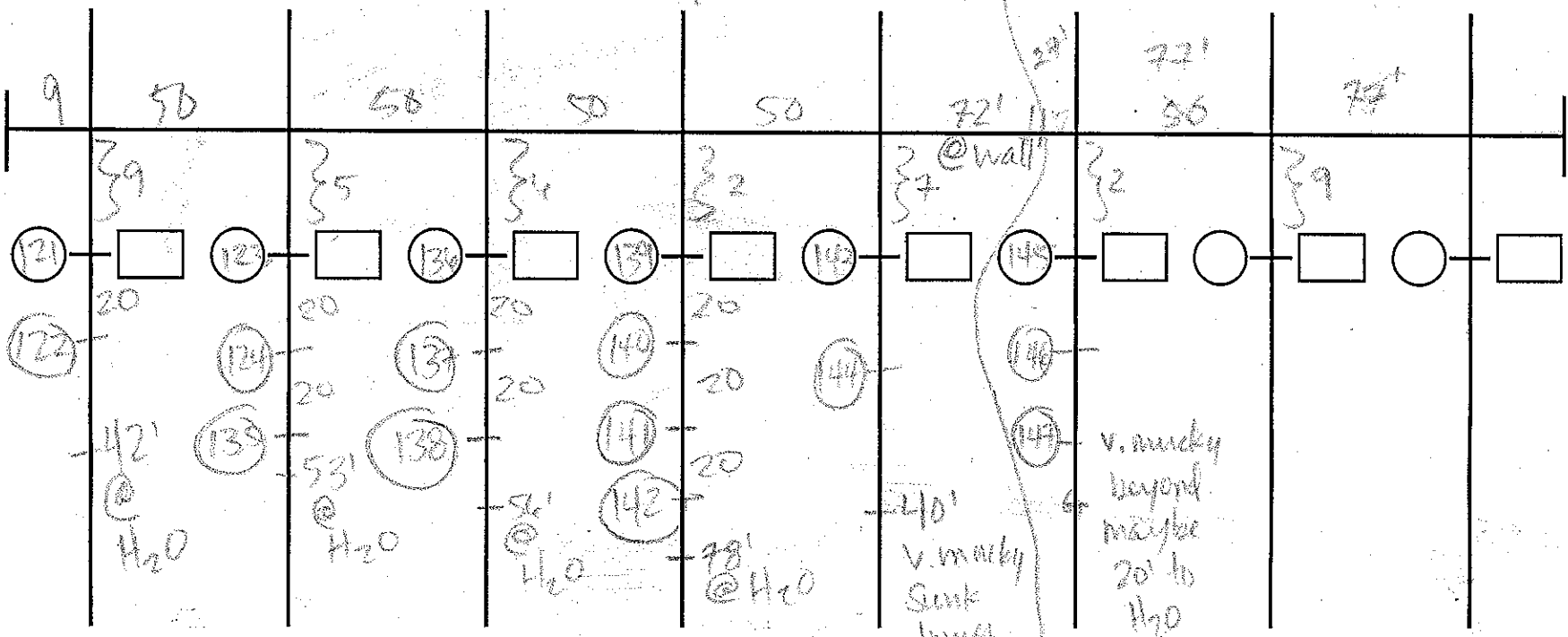
Comments/notes: _____

% fines / salinity = Janna + Bob
Baseline follows sea wall

Photo point # and locations: John (SA10)

Followed the bulkhead

HD 0 T# 1 WP97 HD 0 T# 2 WP98 HD 0 T# 3 WP99 HD 0 T# 4 WP100 HD 0 T# 5 WP101 HD 0 T# 6 WP102 HD 0 T# 7



Approximate size of beach (> or < 1,000) m²: 30,000 (30 samples)

Block size: 1000ft² (50x20)

Best fit line:

Transect	Direction of best fit	Direction of transect
1	200	290
10	170	

Substrate description: _____
elevation @ top loc = 2.5' time = 9:05

Salinity: _____

170
90
260

Page 1 of

Surveyor: MW

Crew: _____

insert

Beach name: #12

Location: RM 2.8, SW Bank, across from Slip 4

Date: 8/9/03

Tide height/time: 9:30 am - 2.1³'

Comments/notes: % fines + salinity = RC + TF

Photo point # and locations:

Approximate size of beach (> or < 1,000) m²: 21,000 ~ 21 samples

Page 1 of

Surveyor: MW

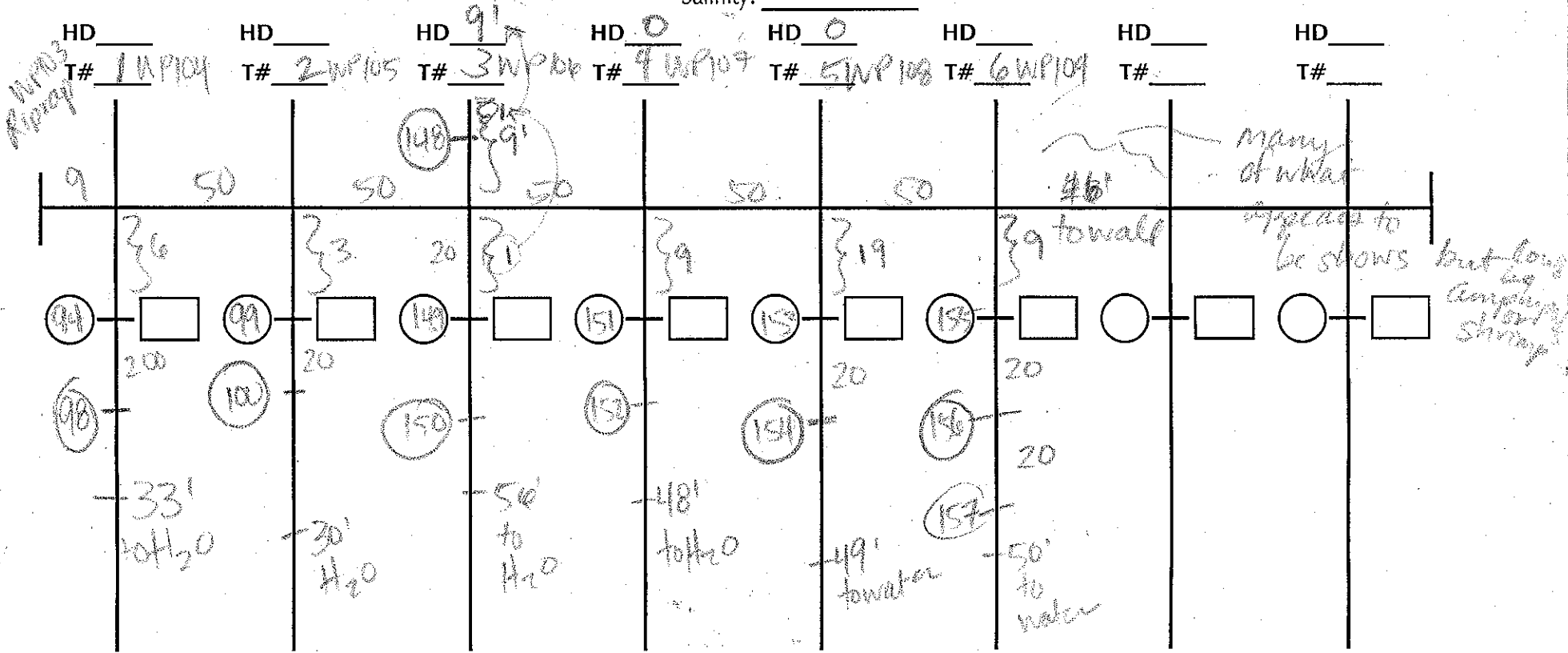
Block size: 1000 ft² (50x20) Crew:

Best fit line:

Transect	Direction of best fit	Direction of transect
7	290	200

Substrate description: elevation @ highest sampling loc = 5.5' time = 10 am
Rocky riprap @ transect start

Salinity:



Beach name: 16

Location: T117 after Marina

Date: 8/9/03

Tide height/time: 9:30am -2.13'

Comments/notes: _____

% fines/salinity = TF + BC

Photo point # and locations: _____

Approximate size of beach (> or < 1,000) m²: 163,000 ft² (163 samples)

Page 1 of

Surveyor: MW

Block size: 1000 ft² (50x20)

Crew: _____

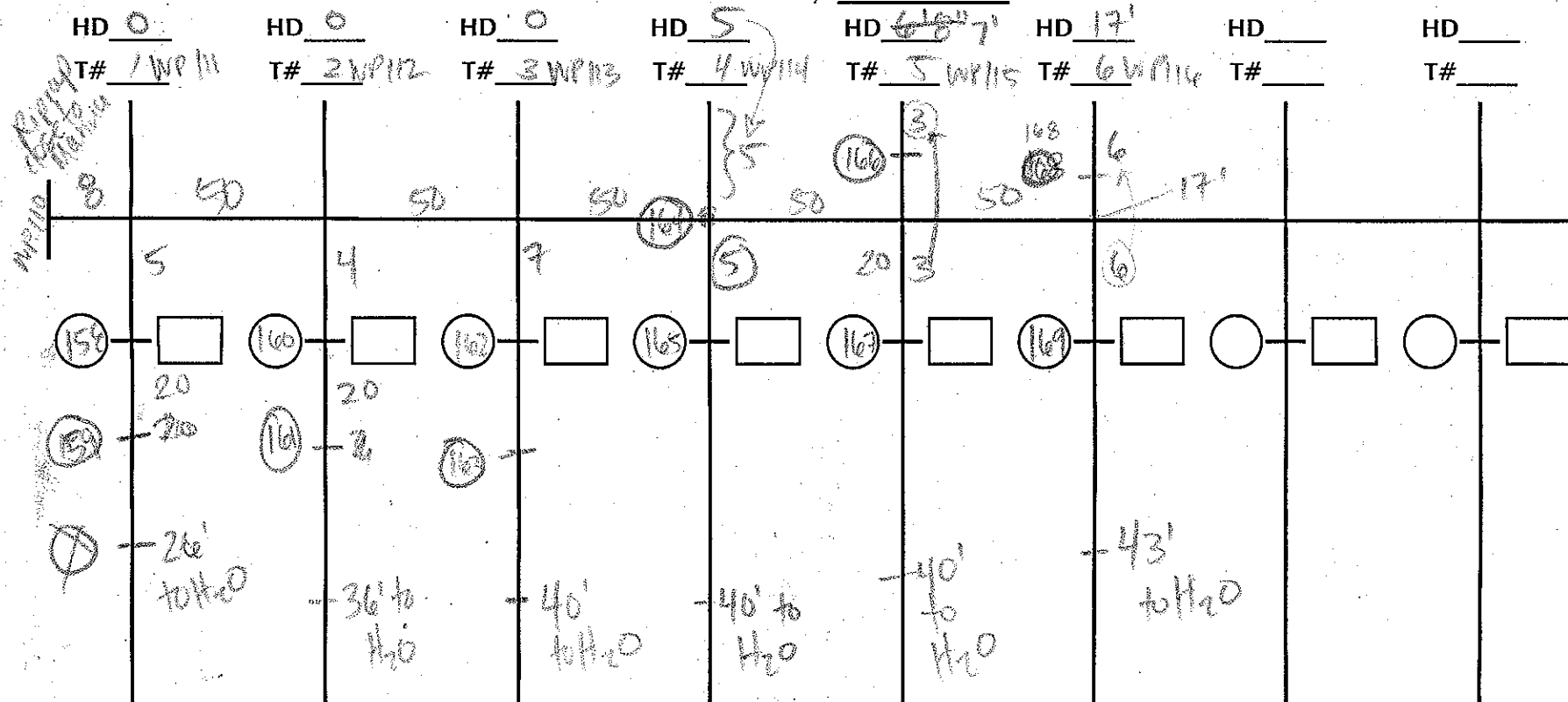
Best fit line:

Transect	Direction of best fit	Direction of transect
1	30°	210

Substrate description: _____

elevation @ top loc = 4.5' time = 11:05

Salinity: _____



130
90
220

Beach name: 16

Location: T117

Date: 8/10/03

Tide height/time: 10:35 am / -2.38'

Comments/notes: % fines/salinity = collected 8/9

Photo point # and locations: _____

Approximate size of beach (> or < 1,000) m²: 143,000 ft²

Block size: 1000 ft²

Page 1 of 5

Surveyor: MW

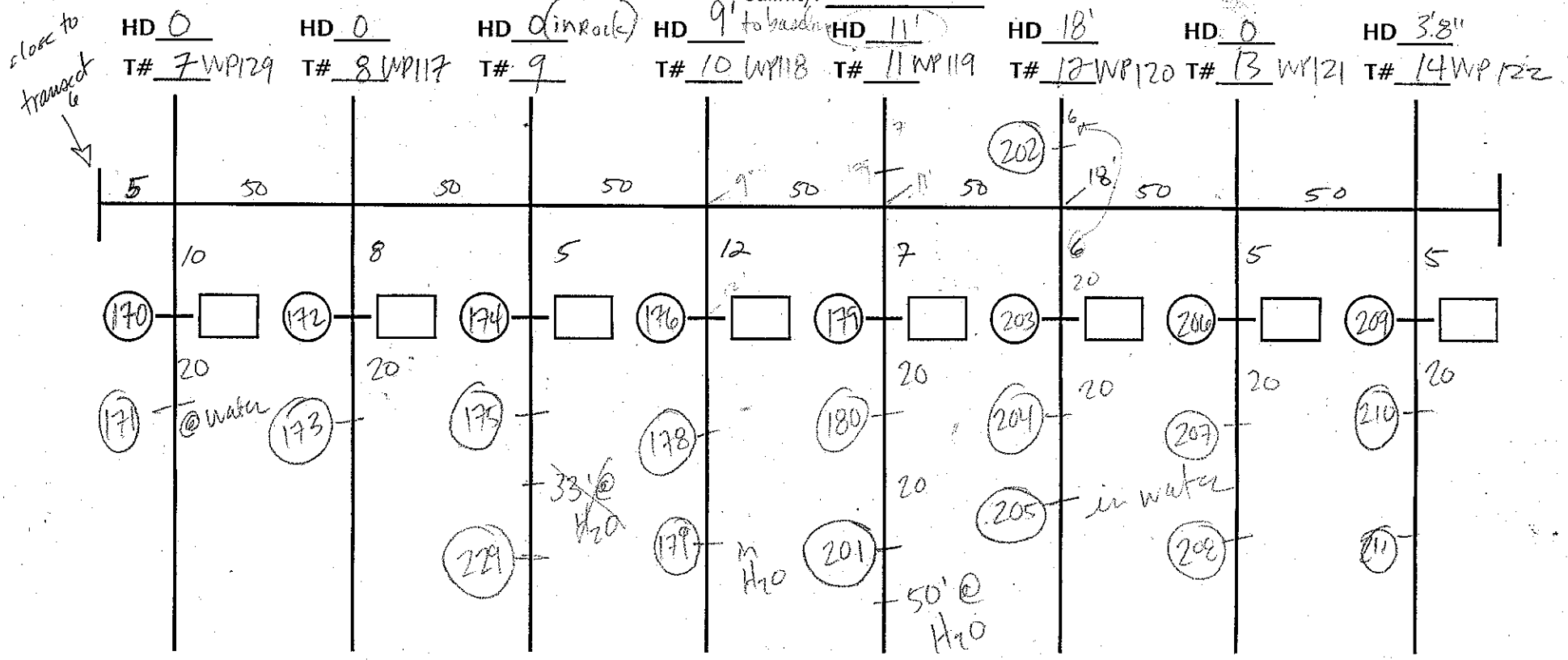
Crew: DP, CJ, SP, JF, BC

Best fit line:

Transect	Direction of best fit	Direction of transect
7	130	

Substrate description: _____

elevation @ top loc = _____ time = _____
↑ took on 8/9/03



Beach name: T117 (#16)

Location: T117

Date: 8/10/03

Tide height/time: 10:15 am -2.38'

Comments/notes: _____

Photo point # and locations: _____

140
90
230

Approximate size of beach (> or < 1,000) m²): _____

Page 2 of 5

Block size: _____

Surveyor: _____

Crew: _____

Best fit line:

Transect	Direction of best fit	Direction of transect
21	140	230

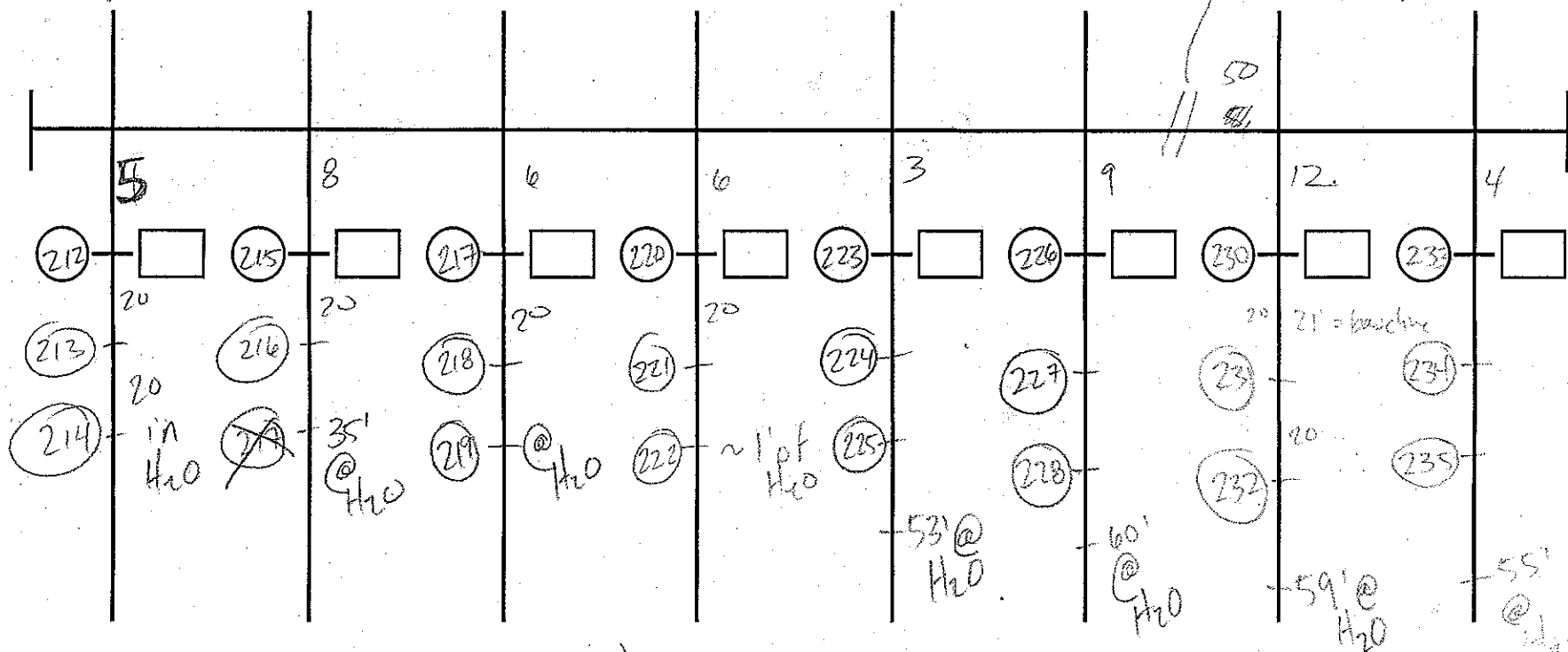
Substrate description: _____

@T21 -> drier, sandy begins

Salinity: _____

WP130

HD 8.5' HD 0' HD 9'8" HD 10' HD 21' HD 29.5' HD 21' HD 18'
 T# 15 WP123 T# 16 WP124 T# 17 WP125 T# 18 WP126 T# 19 WP127 T# 20 WP128 T# 21 WP129 T# 22 WP132



Beach name: #16 T117 Kellogg Island

Location: Island

Date: 8/10/03

Tide height/time: 10¹⁵ am - 2.38'

Comments/notes: _____

Photo point # and locations: _____

Approximate size of beach (> or < 1,000) m²: _____

Block size: _____

Page 4 of 5

Surveyor: MW

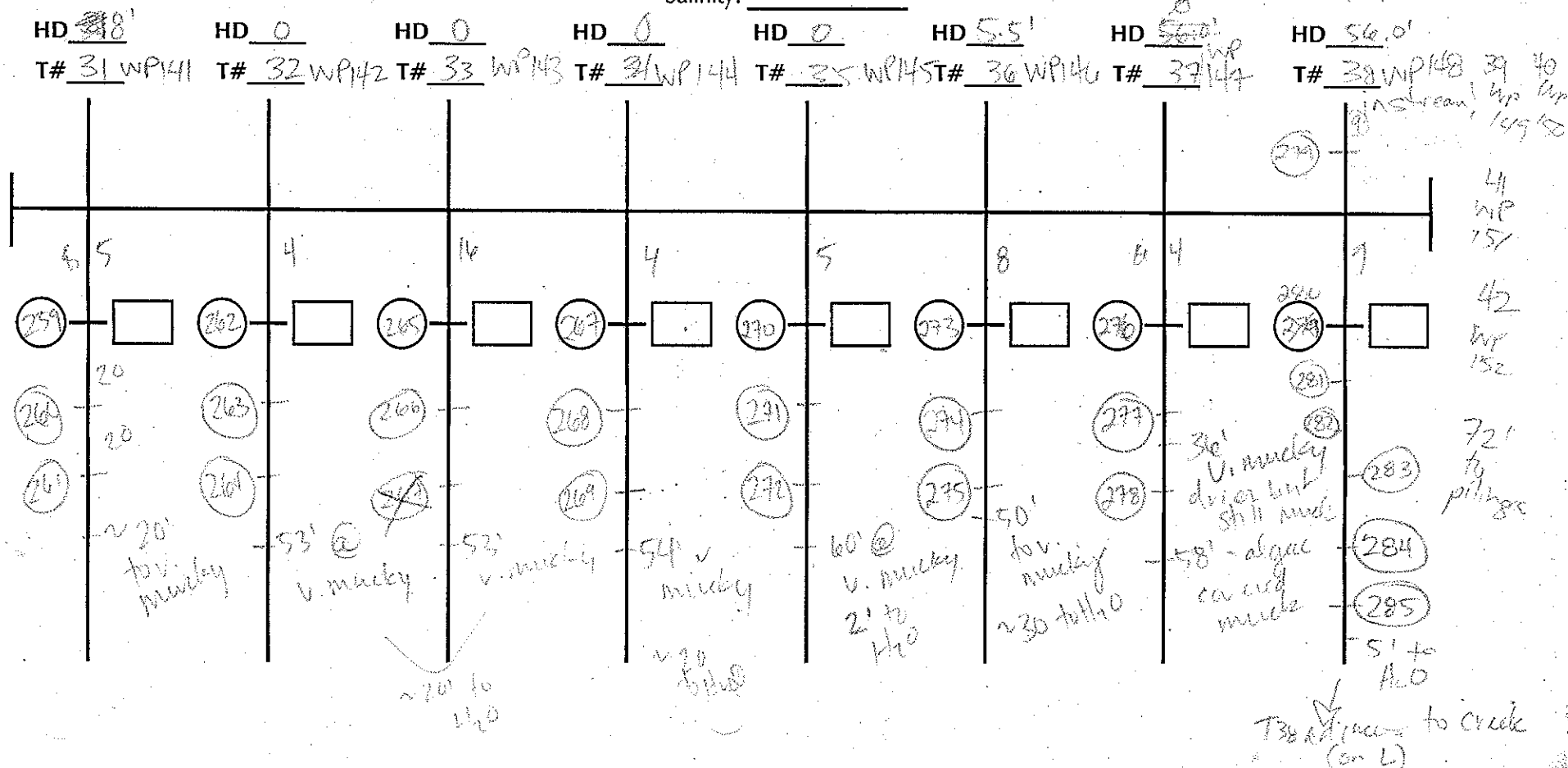
Crew: _____

Best fit line:

Transect	Direction of best fit	Direction of transect
	140	230

Substrate description: _____

Salinity: _____



Beach name: #16 T117

Location: T117

Date: 8/10/03

Tide height/time: 10¹⁵ am - 2.38'

Comments/notes:

Photo point # and locations:

Approximate size of beach (> or < 1,000) m²:

Block size:

Page 5 of 5

Surveyor:

Crew:

Best fit line:

Transect	Direction of best fit	Direction of transect
	140	230

Substrate description:

Salinity:

Beach - flat

HD 51'
T# 39

HD 50'
T# 40

HD 36.5'
T# 41

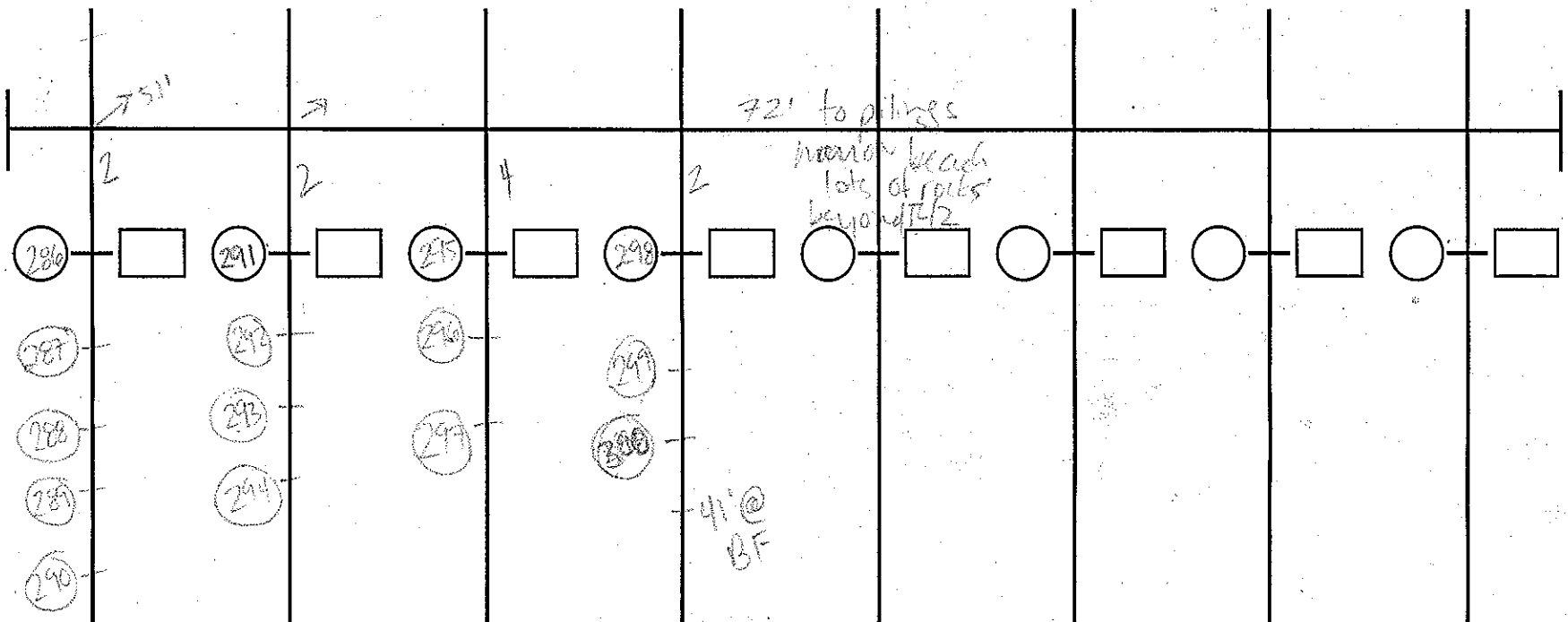
HD 41.5
T# 42

HD _____
T# _____

HD _____
T# _____

HD _____
T# _____

HD _____
T# _____



260
90
170

305
-90
215

315
90
225

Beach name: Kellogg Island

Location: Mantoloking Island (east side)

Date: 8/14/03

Tide height/time: -2.38' / 11:00 am

Comments/notes: _____

% fines / Salinity

Photo point # and locations: _____

Approximate size of beach
(> or < 1,000) m²: ~~1000~~ 69,000?

Block size: 1000 ft²

Page 1 of 5

Surveyor: MMW

Crew: SH, SS, SP, Bc, MS, JF

Best fit line:

Transect	Direction of best fit	Direction of transect
1	260	170
7	305	215
8	315	225

Substrate description: _____

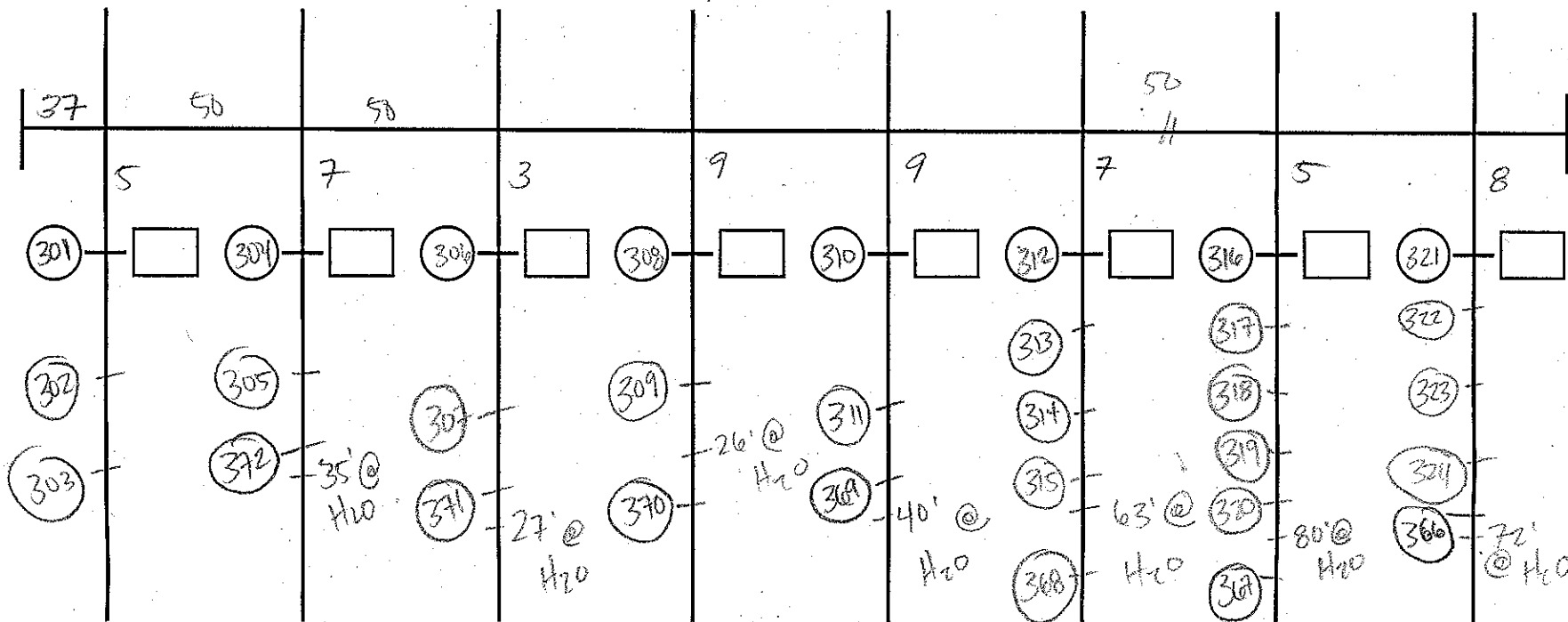
elevation of top 1oz: 2'8" time: 8:35 am

Salinity: _____

Boundary = 1000 ft²
WP153
High drift

peach
Bench

HD 15' T# 1 WP154 HD 13.5' T# 2 WP155 HD 5.5' T# 3 WP156 HD 4' T# 4 WP157 HD 16' T# 5 WP158 HD 26.7" T# 6 WP159 HD 27' T# 7 WP160 HD 19' T# 8 WP161



Beach name: Kellogg Island

Location: _____

Date: 8.11.03

Tide height/time: 11⁰⁰ am - 2.33

Comments/notes: _____

Photo point # and locations: _____

Approximate size of beach
(> or < 1,000) m²: _____

Block size: _____

Page 2 of 5

Surveyor: MW

Crew: _____

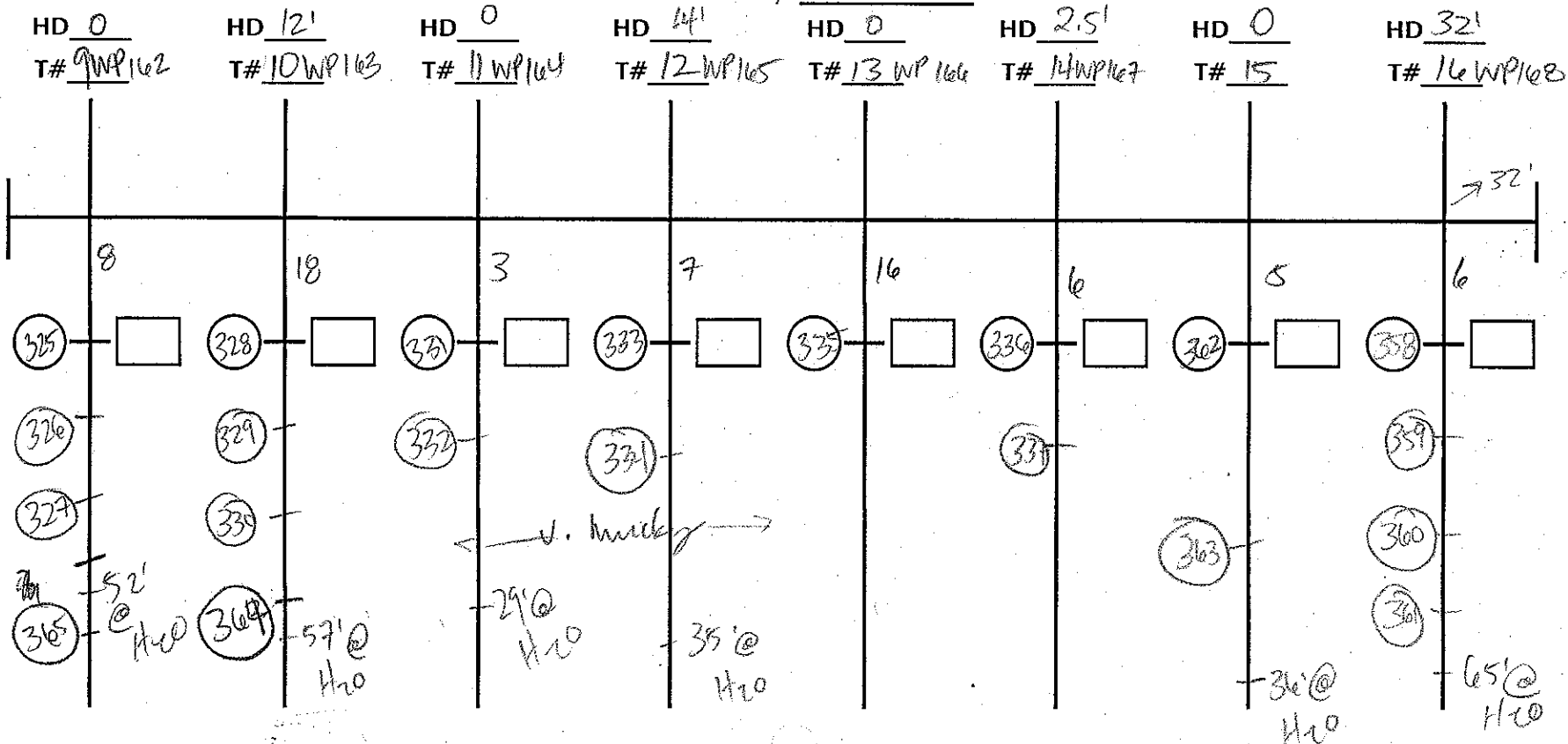
Best fit line:

Transect	Direction of best fit	Direction of transect
9	320	230
10	330	240
11	320 325	235

Substrate description: _____

Salinity: _____

320
90
30



310
90
220

Beach name: Kellogg Island

Location: _____

Date: 8.11.03

Tide height/time: 11⁰⁰ am -2.33

Comments/notes: _____

% fines/salinity =

Photo point # and locations: _____

Approximate size of beach (> or < 1,000) m²): _____

Block size: _____

Best fit line:

Transect	Direction of best fit	Direction of transect
23	310	220

Page 3 of 5

Surveyor: mw

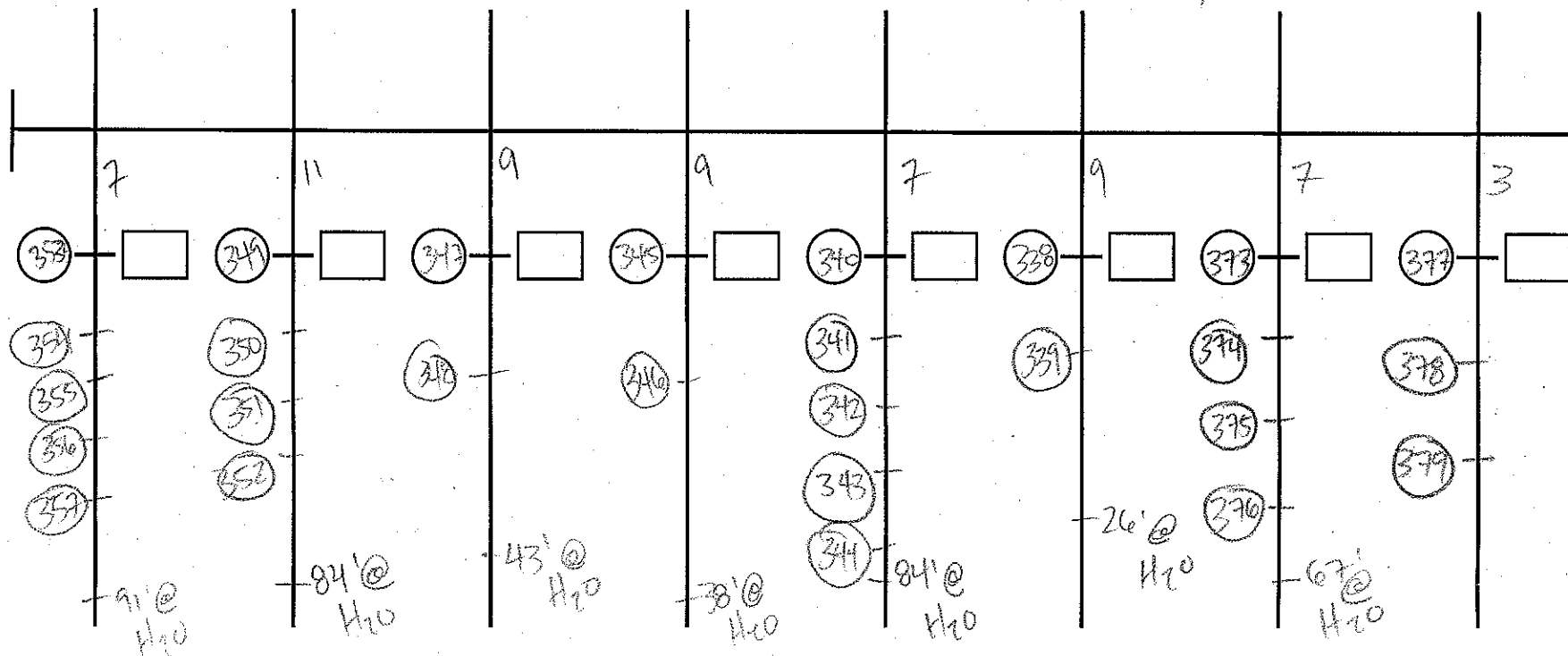
Crew: _____

Substrate description: _____

elevation @ top loc = _____ time = _____

Salinity: _____

HD 60' HD 55.5' HD 13.5' HD 7.5' HD 53' HD 6' HD 36' HD 13'
 T# 17 WP 171 T# 18 WP 170 T# 19 WP 171 T# 20 WP 172 T# 21 WP 173 T# 22 WP 174 T# 23 WP 175 T# 24 WP 176



Beach name: Kellogg Island

Location: _____

Date: 8.11.03

Tide height/time: 2.33' / 11am

Comments/notes: _____

Photo point # and locations: _____

Approximate size of beach (> or < 1,000) m²: _____

Block size: _____

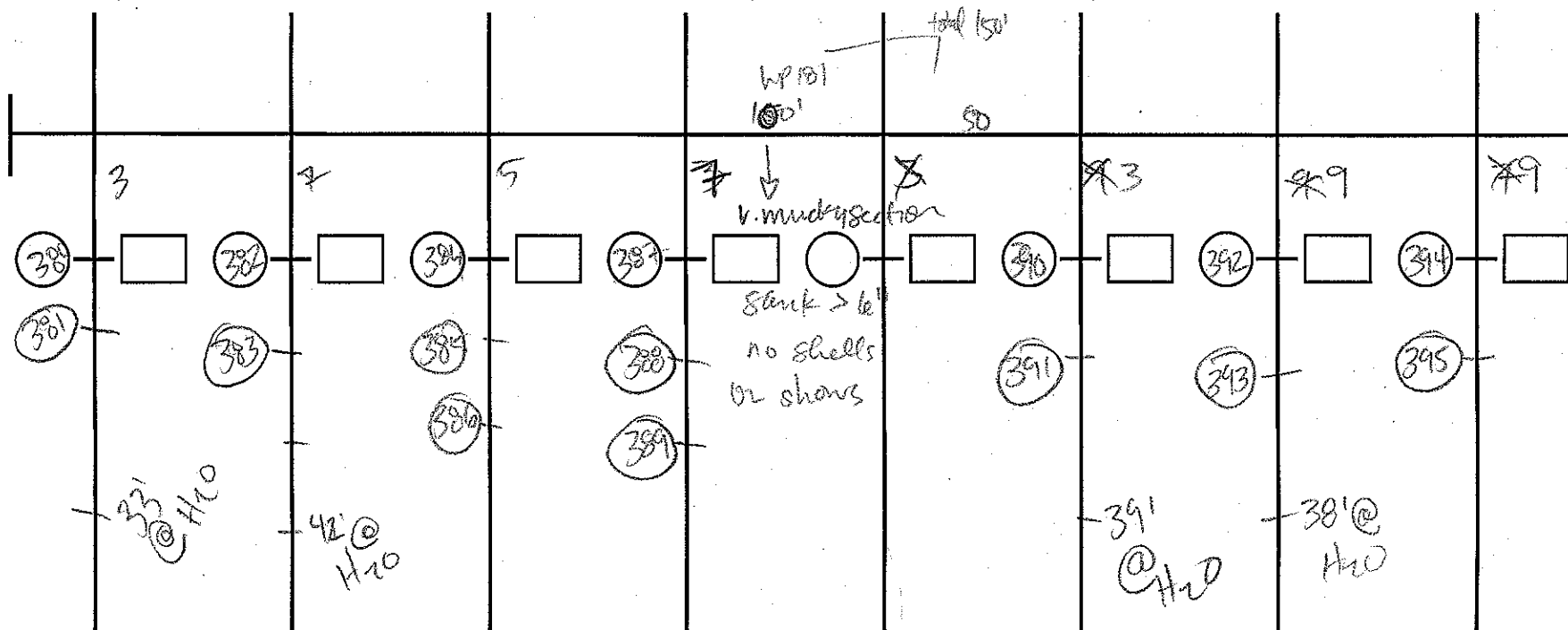
Best fit line:

Transect	Direction of best fit	Direction of transect
	310	
30	190	
31	155	

Substrate description: _____

Salinity: _____

HD 0 HD 0 HD 0 HD 0 HD _____ HD 9.5 HD 0 HD 0
 T# 25 WP177 T# 26 WP178 T# 27 WP179 T# 28 WP180 T# _____ T# 29 WP182 T# 30 WP183 T# 31 WP184



155
90
65

Surveyor: MW

Crew: _____

Beach name: Kellogg Island

Location: island (east side)

Date: 8/11/03

Tide height/time: -2.33' / 11^{am}

Comments/notes: _____

Photo point # and locations: _____

Approximate size of beach
(> or < 1,000) m²: _____

Block size: _____

Best fit line:

Transect	Direction of best fit	Direction of transect
<u>32</u>	<u>335</u>	<u>245</u>
	<u>3</u>	

Substrate description: _____

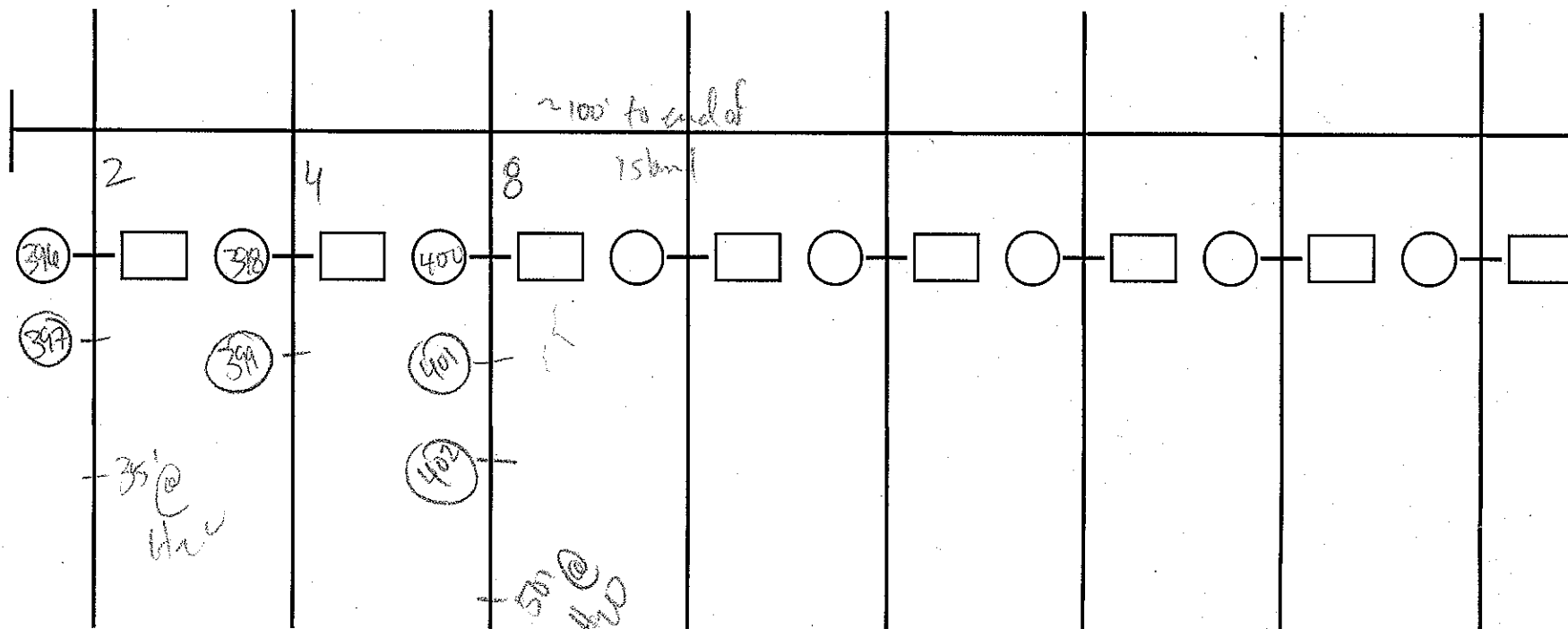
Salinity: _____

Page 5 of 5

Surveyor: MM

Crew: _____

HD 12' HD 8' HD 24' HD _____ HD _____ HD _____ HD _____ HD _____
T# 32WP185 T# 33WP186 T# 34WP187 T# _____ T# _____ T# _____ T# _____ T# _____



Beach name: Kellogg Island

Location: mainland to seep w/ large logs

Date: 8.11.03 / 8.12.03

Tide height/time: -2.33' @ 11am / -1.98' @ 11⁴⁵

Comments/notes: % trees / salinity = JF
HD = fence @ restoration site

Photo point # and locations: _____

Approximate size of beach (> or < 1,000) m²: _____

Block size: _____

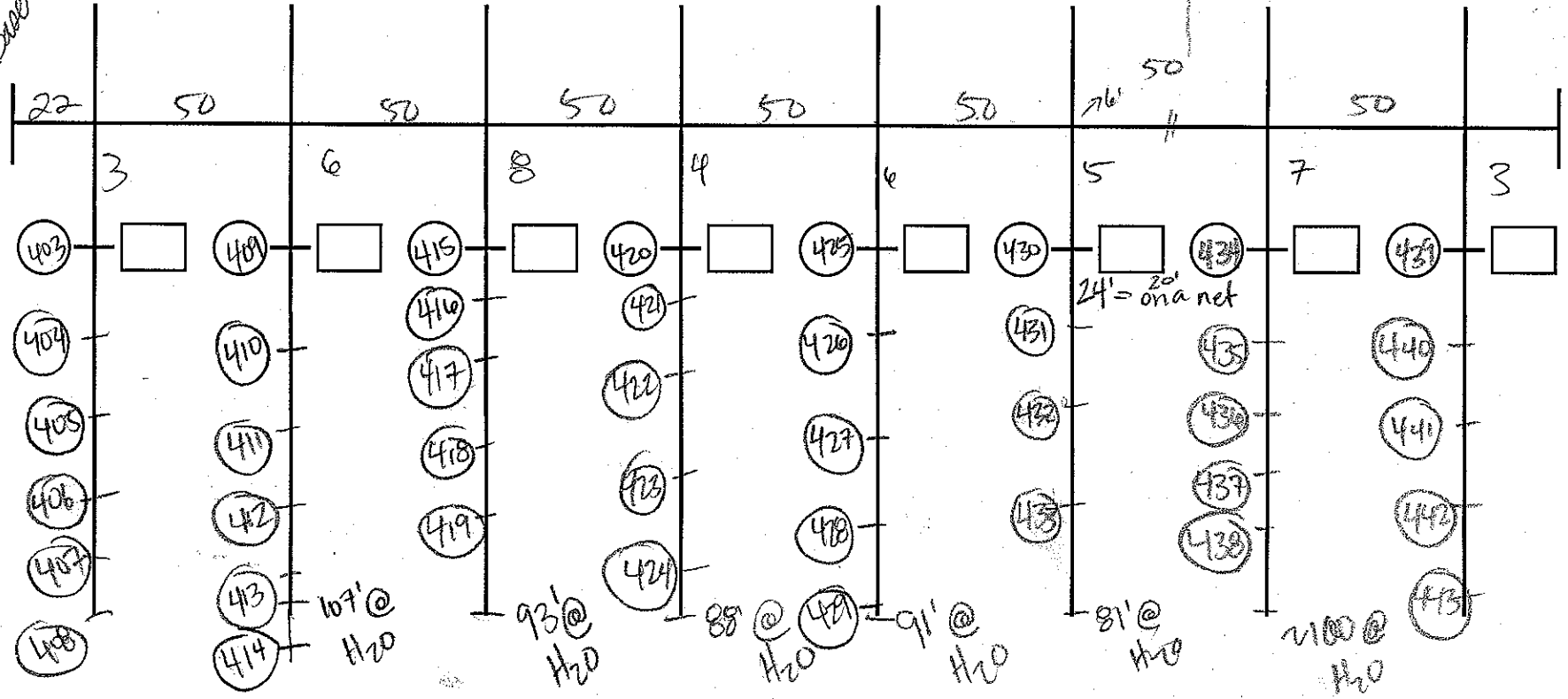
Best fit line:

Transect	Direction of best fit	Direction of transect
1	150	240
7	155	245

Substrate description: elevation = 5' 9" time = 1pm

Salinity: _____
8/12/03
HD 0 T# 1 WP188 HD 0 T# 2 WP189 HD 0 T# 3 WP190 HD 0 T# 4 WP191 HD 9' 9" T# 5 WP192 HD 8' 6" T# 6 WP193 HD 17' 4" T# 7 WP194 HD 19' T# 8 WP195

Baseline Boundary



Beach name: Kellogg Island

Location: MAINLAND

Date: 8.12.03

Tide height/time: -1.98' @ 11⁴⁵

Comments/notes: _____

Photo point # and locations: _____

Approximate size of beach
(> or < 1,000) m²: _____

Block size: _____

Best fit line:

Transect	Direction of best fit	Direction of transect
12	170	260

Substrate description: _____

Salinity: _____

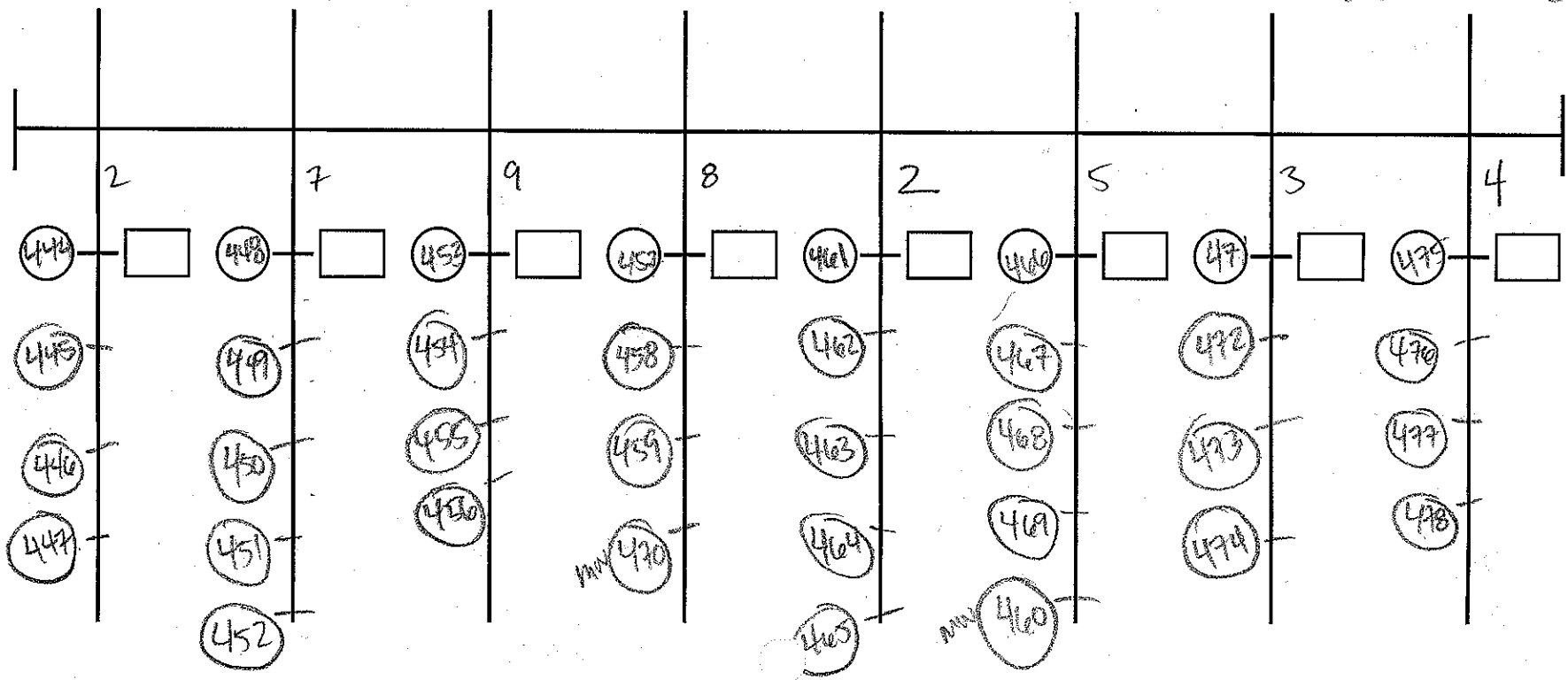
170
90
260

Page 2 of 3

Surveyor: mw

Crew: _____

HD 9' HD 17' HD 16' HD 8' HD 19' HD 24' HD 5.5' HD 15.5'
 T# 9 WP196 T# 10 WP197 T# 11 WP198 T# 12 WP199 T# 13 WP200 T# 14 WP201 T# 15 WP202 T# 16 WP203



Beach name: Kellogg Ts

Location: Mainland

Date: 8.12.03

Tide height/time: -1.98' @ 1145

Comments/notes: _____

Photo point # and locations: _____

165
90
255

Approximate size of beach (> or < 1,000) m²): _____

Block size: _____

Surveyor: MW

Crew: _____

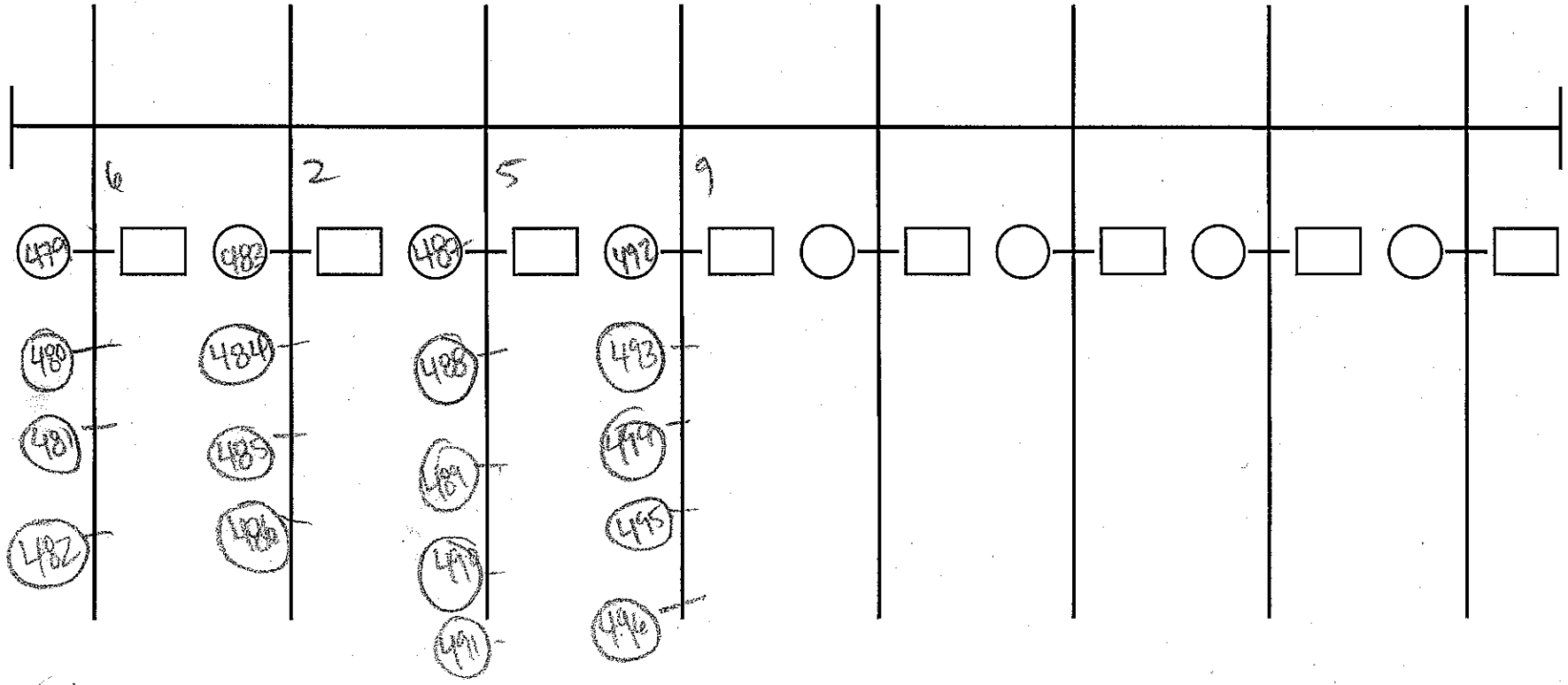
Best fit line:

Transect	Direction of best fit	Direction of transect
<u>17</u>	<u>165</u>	<u>255</u>

Substrate description: _____

Salinity: _____

HD 10' HD 0' WP HD 6' HD 21' HD _____ HD _____ HD _____ HD _____
 T# 17 WP 204 T# 18 205 T# 19 WP 206 T# 20 WP 207 T# _____ T# _____ T# _____ T# _____



Beach name: Kellogg Island

Location: Mainland - Low priority section

Date: 8/12/03

Tide height/time: 1145 - 1.98'

Comments/notes: _____

Photo point # and locations: _____

47 33 39
122 20 94

to from
second seap
to nwp
60, 61

Approximate size of beach
(> or < 1,000) m²: _____

Block size: 4000 ft² (200 x 20)

Best fit line:

Transect	Direction of best fit	Direction of transect
1	145	255
3	135	45
2		255

145
90
255
135
90
45
Page 1 of 1

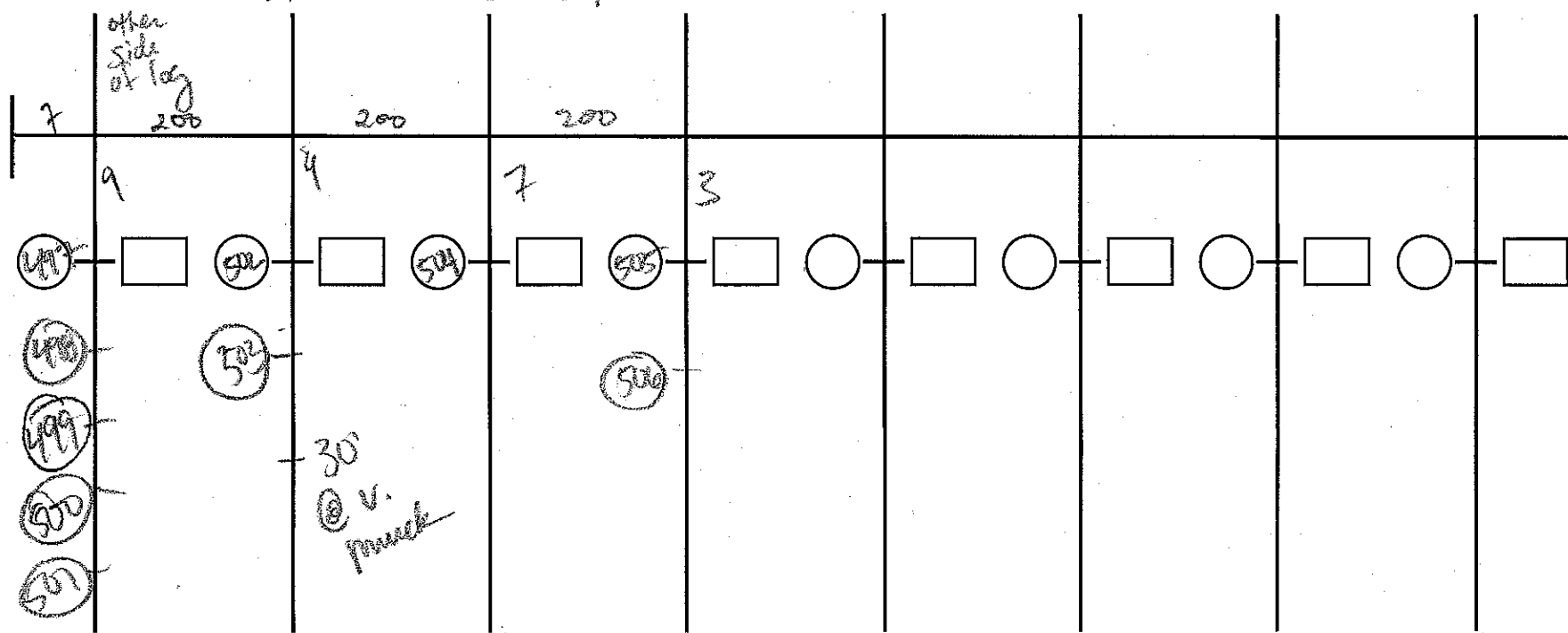
Surveyor: _____

Crew: _____

Substrate description: _____

Salinity: _____

HD 0 HD 9' HD 11.5' HD 0 HD _____ HD _____ HD _____ HD _____
 T# 1 WP100 T# ~~200~~ T# 3 WP209 T# 4 WP211 T# _____ T# _____ T# _____ T# _____



7
100
59
41

125
90
35

Beach name: Kellogg Island

Approximate size of beach (> or < 1,000) m²: _____

Page 1 of 1

Location: Mainland - Men section from WP 60, 61 to

Surveyor: _____

Date: 8/12/03 Seep

Block size: 2000 ft² (100 x 20)

Crew: _____

Tide height/time: 11⁴⁵ -1.98'

Best fit line:

Transect	Direction of best fit	Direction of transect
1	125	215
3	115	205
5	100	

Comments/notes: _____

Substrate description: _____

Photo point # and locations: _____

* seep + 41' from last transect

Salinity: _____

